

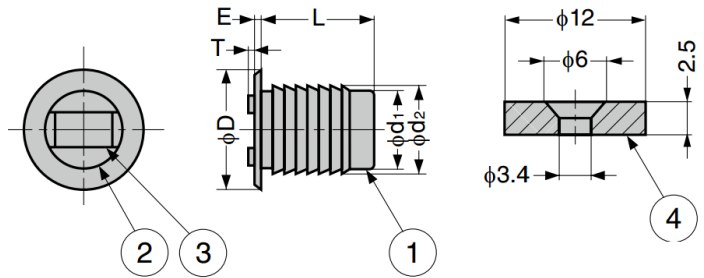
## GMC-IS Magnetic Catch

### Parts Included

- Counter plate **GW4**



No.	Part Name	Material	Finish / Colour
①	Body	PA	White, Black
②	Yoke	Steel	Coloured Zinc Chromate
③	Magnet	Ferrite	—
④	Counter Plate	Steel	Coloured Zinc Chromate



Part No.	Colour	D	L	E	T	d <sub>1</sub>	d <sub>2</sub>	Magnetic Force	
GMC-IS2WP	White	10	13.8	1	0.7	8	8.6	9.8 N	1.0 kg
GMC-IS2BP	Black								
GMC-IS4WP	White	14	14	0.7	1.2	11	12	24.5 N	2.5 kg
GMC-IS4BP	Black								

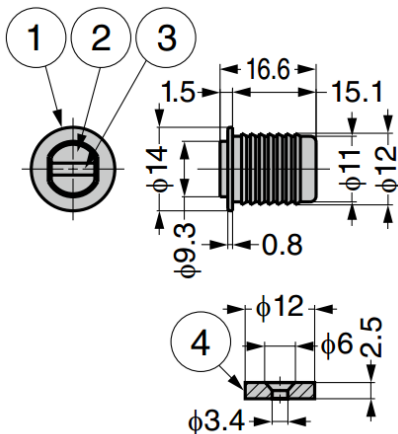
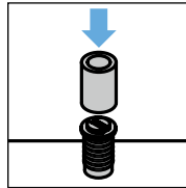
## GMC-IS4F Magnetic Catch

### Features

- Movable magnet yoke allows better contact with counter plate and ensures full magnetic force
- Counter plate **GW4** sold separately

### Notes

- When installing, recommended to use a cylindrical object to strike in the front flange part of magnetic catch (as illustrated on the right)



No.	Part Name	Material	Finish / Colour
①	Body	PA	White, Black
②	Yoke	Steel	Coloured Zinc Chromate
③	Magnet	Ferrite	—
④	Counter Plate	Steel	Coloured Zinc Chromate

Part No.	Colour	Magnetic Force	
GMC-IS4FWTP	White	24.5 N	2.5 kg
GMC-IS4FBLP	Black		